

141

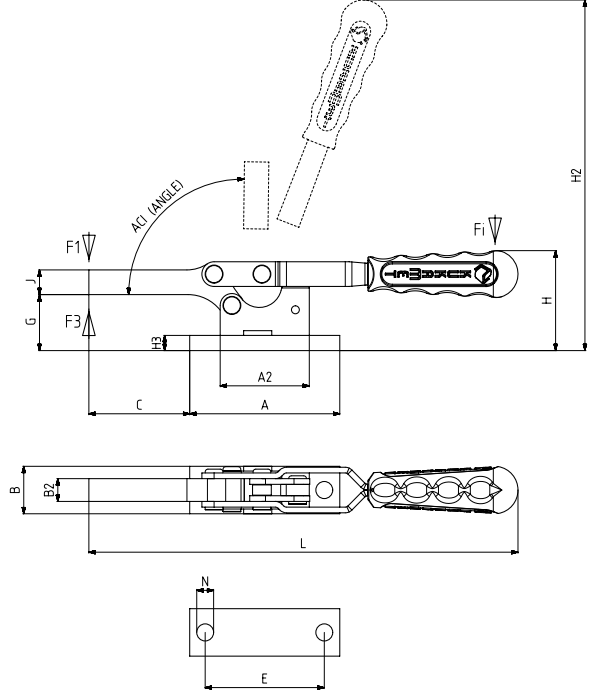


new

MODEL NO	F1 (N)	F3 (N)	Fi		AÇI (ANGLE) (± 5°)	AĞIRLIK (WEIGHT) (gr)
			VERİM (YIELD) (F1:Fi)			
141 - 4	1750	2600	4:1		90°	500

F1 : BASKI KUVVETİ (EXERTING FORCE) , F3 : TUTMA KAPASİTESİ (HOLDING CAPACITY) , Fi : UYGULAMA KUVVETİ (APPLIED FORCE)

Ayak Tipi: Yatay Tabanlı
Body Mounting Base: Horizontal



141-L

KİLİTLİ/LOCKED



MODEL NO	A	B	B2	C	D	E ~	G	H	H2	H3	J	L	N
141 - 4	80	25	12	53,75	-	63,5	29,5	53	185,5	8	13	229	Ø9

142

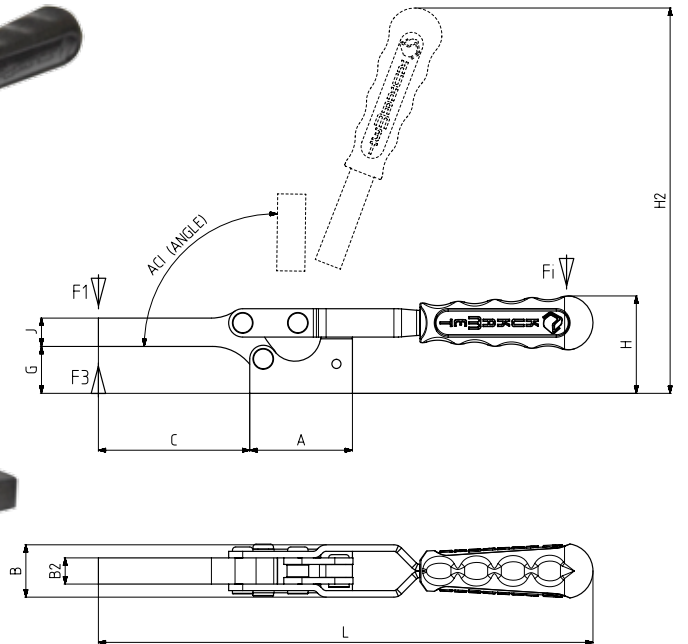


new

MODEL NO	F1 (N)	F3 (N)	Fi		AÇI (ANGLE) (± 5°)	AĞIRLIK (WEIGHT) (gr)
			VERİM (YIELD) (F1:Fi)			
142 - 4	1750	2600	4:1		90°	390

F1 : BASKI KUVVETİ (EXERTING FORCE) , F3 : TUTMA KAPASİTESİ (HOLDING CAPACITY) , Fi : UYGULAMA KUVVETİ (APPLIED FORCE)

Ayak Tipi: Dikey Tabanlı
Body Mounting Base: Vertical



142-L

KİLİTLİ/LOCKED



MODEL NO	A	B	B2	C	D	E ~	G	H	H2	H3	J	L	N
142 - 4	47,5	24	12	70	-	-	21,5	45	177,5	-	13	229	-