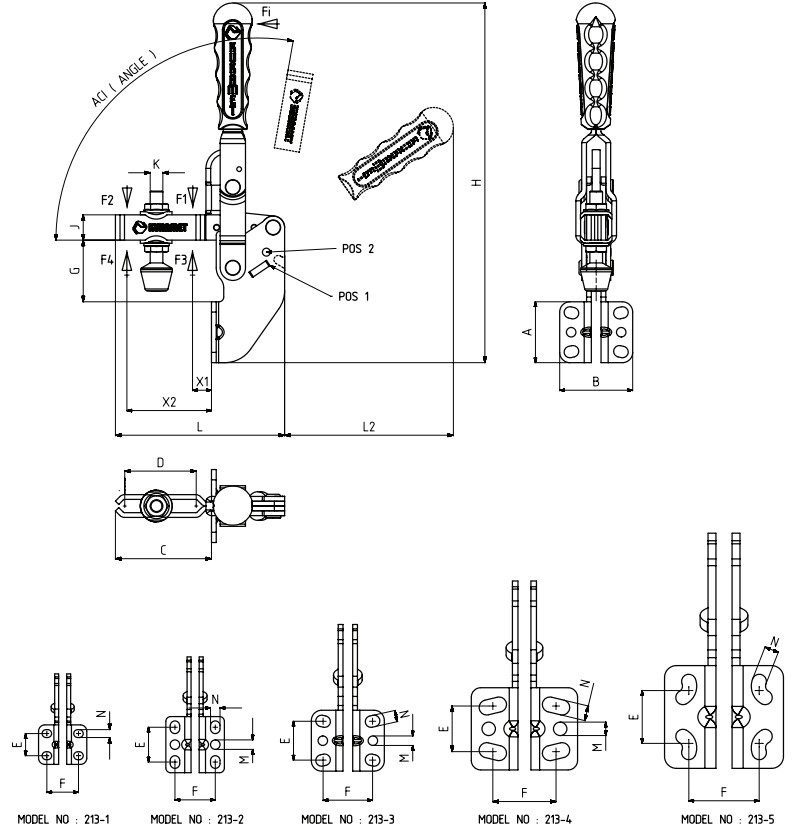


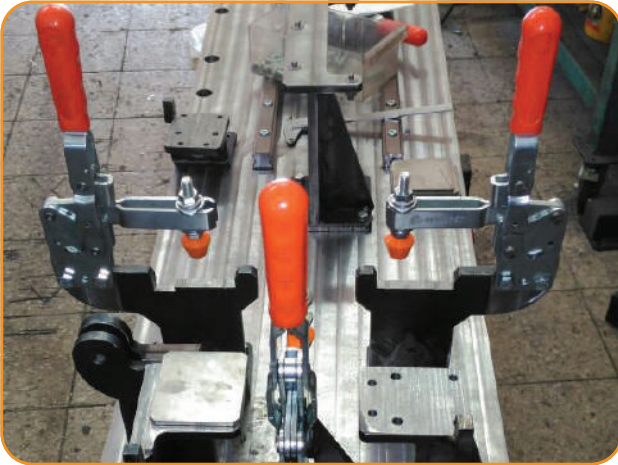
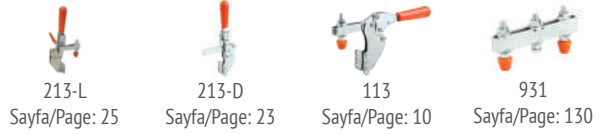
| MODEL NO | SİYAH (BLACK) | F1 (N) | F2 (N) | F3 (N) | F4 (N) | Fi                         |                            | BASKI VİDASI (SQUEEZE SCREW) | AÇI (ANGLE) ( $\pm 5^\circ$ )     |       | AĞIRLIK (WEIGHT) (gr $\pm 2$ ) |
|----------|---------------|--------|--------|--------|--------|----------------------------|----------------------------|------------------------------|-----------------------------------|-------|--------------------------------|
|          |               |        |        |        |        | (X1) VERİM (YIELD) (F1:Fi) | (X2) VERİM (YIELD) (F2:Fi) |                              | KOL DAYAMA AÇISI (ARMSREST ANGLE) |       |                                |
|          |               |        |        |        |        |                            |                            |                              | POS 1                             | POS 2 |                                |
| 213 - 1  | B 213 - ....  | 750    | 500    | 1000   | 680    | 12:1                       | 8:1                        | M5X35                        | 135°                              | 105°  | 170                            |
| 213 - 2  | B 213 - ....  | 1200   | 700    | 1400   | 925    | 12:1                       | 7,5:1                      | M6X40                        | 135°                              | 105°  | 265                            |
| 213 - 3  | B 213 - ....  | 2000   | 1400   | 2500   | 1560   | 11:1                       | 8:1                        | M8X50                        | 105°                              | -     | 470                            |
| 213 - 4  | B 213 - ....  | 3000   | 2000   | 3300   | 2200   | 11,5:1                     | 8:1                        | M10X70                       | 135°                              | 105°  | 1050                           |
| 213 - 5  | B 213 - ....  | 4500   | 2500   | 5000   | 3000   | 12:1                       | 7:1                        | M12X80                       | 135°                              | 105°  | 1760                           |

F1 - F2 : BASKI KUVVETİ ( EXERTING FORCE ), F3 - F4 : TUTMA KAPASİTESİ ( HOLDING CAPACITY ), Fi : UYGULAMA KUVVETİ ( APPLIED FORCE )

213



**Ayak Tipi: Yan Tabanlı**  
Body Mounting Base: Side Ward



| MODEL NO | A    | B    | C     | D  | E    | F    | G    | H   | J  | K   | L   | L2  | M     | N          | X1 | X2 |
|----------|------|------|-------|----|------|------|------|-----|----|-----|-----|-----|-------|------------|----|----|
| 213 - 1  | 25   | 30,5 | 38    | 26 | 14   | 20   | 22,5 | 150 | 10 | M5  | 70  | 75  | -     | 5 x 6      | 12 | 28 |
| 213 - 2  | 35,5 | 37   | 58    | 42 | 22   | 25,5 | 25,5 | 175 | 13 | M6  | 94  | 85  | Ø 6   | 6 x 8      | 15 | 45 |
| 213 - 3  | 38,5 | 46   | 61    | 42 | 24,5 | 31,5 | 39   | 228 | 16 | M 8 | 107 | 110 | Ø 6   | 7 x 9      | 19 | 46 |
| 213 - 4  | 52   | 67   | 91    | 67 | 29   | 40   | 48   | 292 | 20 | M10 | 152 | 160 | Ø 8,5 | 9,5 x 17,5 | 24 | 72 |
| 213 - 5  | 65   | 75,5 | 118,5 | 88 | 33,5 | 44,5 | 59   | 328 | 25 | M12 | 195 | 165 | -     | 9 x 19,5   | 30 | 95 |