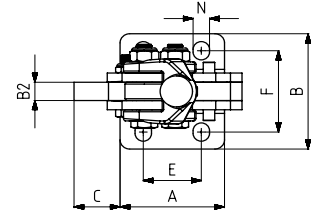
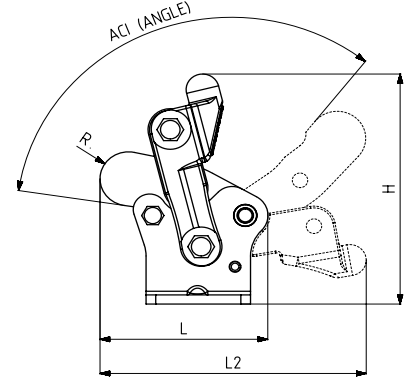


221



| MODEL NO | F1 (N) | Fi | AÇI (ANGLE) (± 5 °) | AĞIRLIK (WEIGHT) (gr) |
|----------|--------|--------------------|---------------------|-----------------------|
| | | VERİM (YIELD) (F1) | | |
| 221-2 | 2500 | 5:1 | 120° | 240 |
| 221-4 | 7000 | 5:1 | 120° | 940 |
| 221-6 | 11000 | 5:1 | 120° | 1820 |

F1 : BASKI KUVVETİ (EXERTING FORCE) , Fi : UYGULAMA KUVVETİ (APPLIED FORCE)



Ayak Tipi: Yatay Tabanlı
Body Mounting Base: Horizontal



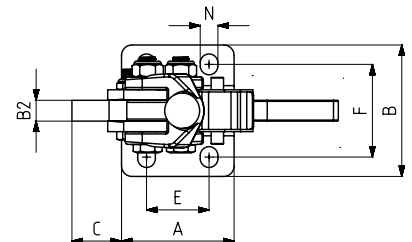
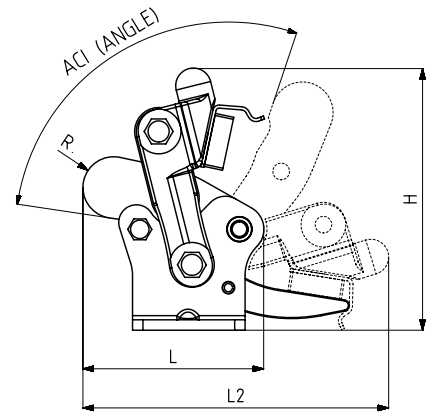
| MODEL NO | A | B | B2 | C | E ~ | F ~ | H | L | L2 | N | R |
|----------|----|------|----|------|-----|---------|-----|-----|-----|-------------|-----|
| 221-2 | 36 | 48,5 | 6 | 17,5 | 20 | 30 - 34 | 72 | 56 | 90 | 6,5 x 8,5 | 9,5 |
| 221-4 | 54 | 63 | 10 | 16 | 30 | 43 - 46 | 126 | 79 | 138 | 8,5 x 10 | 15 |
| 221-6 | 70 | 74 | 12 | 32 | 45 | 51 - 53 | 159 | 112 | 188 | 10,5 x 11,5 | 18 |

221-L



| MODEL NO | F1 (N) | Fi | AÇI (ANGLE) (± 5 °) | AĞIRLIK (WEIGHT) (gr) |
|----------|--------|--------------------|---------------------|-----------------------|
| | | VERİM (YIELD) (F1) | | |
| 221-4-L | 7000 | 5:1 | 100° | 1070 |
| 221-6-L | 11000 | 5:1 | 100° | 2025 |

F1 : BASKI KUVVETİ (EXERTING FORCE) , Fi : UYGULAMA KUVVETİ (APPLIED FORCE)



Ayak Tipi: Yatay Tabanlı (Açıkken Kilitli)
Body Mounting Base: Horizontal (Locked when open)



| MODEL NO | A | B | B2 | C | E ~ | F ~ | H | L | L2 | N | R |
|----------|----|----|----|----|-----|---------|-----|-----|-----|-------------|----|
| 221-4-L | 54 | 63 | 10 | 16 | 30 | 43 - 46 | 126 | 79 | 138 | 8,5 x 10 | 15 |
| 221-6-L | 70 | 74 | 12 | 32 | 45 | 51 - 53 | 159 | 112 | 188 | 10,5 x 11,5 | 18 |