

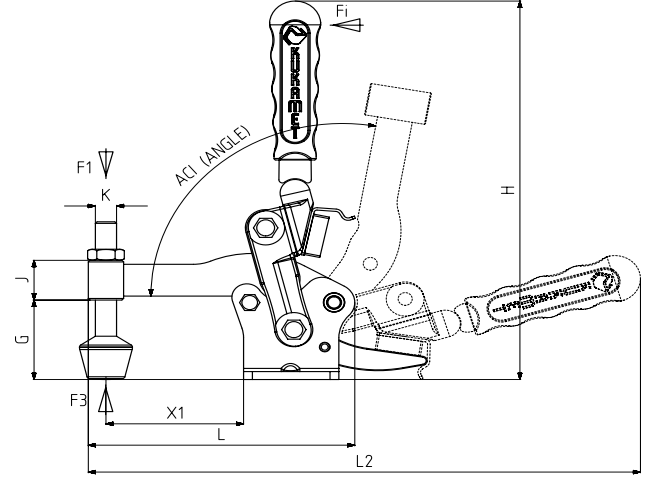
**KİLİTLİ / LOCKED**

241-L

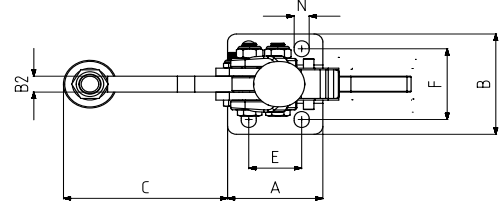


MODEL NO	F1 (N)	F3 (N)	Fi	AÇI (ANGLE) (± 5 °)	AĞIRLIK (WEIGHT) (gr)
			VERİM (YIELD) (F1)		
241-4-L	1500	5000	5:1	100°	1470
241-6-L	2000	6000	5:1	100°	2545

F1: BASKI KUVVETİ ( EXERTING FORCE ), F3: TUTMA KAPASİTESİ ( HOLDING CAPACITY ), Fi: UYGULAMA KUVVETİ ( APPLIED FORCE )



**Ayak Tipi: Yatay Tabanlı (Açıkken Kilitli)**  
Body Mounting Base: Horizontal (Locked when open)



MODEL NO	A	B	B2	C	E~	F~	G	H	J	K	L	L2	N	X1
241-4-L	54	63	10	88	30	43 - 46	49	238	27	M12	151	323	8,5 x 10	78
241-6-L	70	74	12	111	45	51 - 53	68	280	32	M12	191	390	10,5 x 11,5	98,5

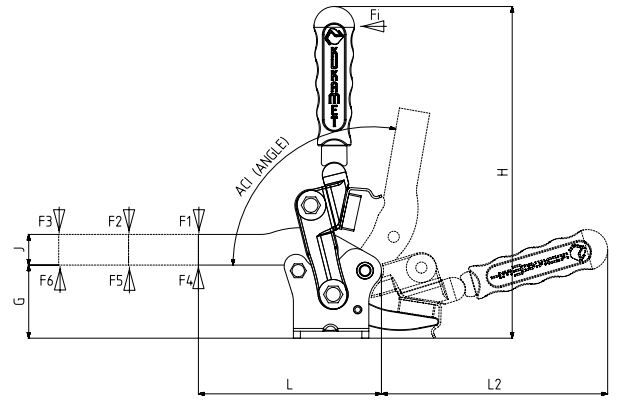
241-D-L



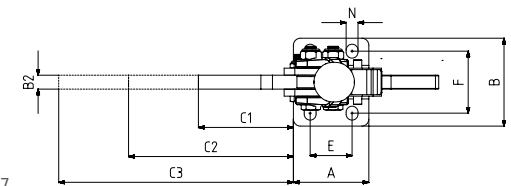
MODEL NO	F1 (N)	F2 (N)	F3 (N)	F4 (N)	F5 (N)	F6 (N)	Fi	AÇI (ANGLE) (± 5 °)	AĞIRLIK (WEIGHT) (gr)
							VERİM (YIELD) (F1)		
241-4-D-L	1500	1050	600	5000	3000	1500	5:1	100°	1340
241-6-D-L	2000	1400	850	6000	3600	2000	5:1	100°	2410

F1-F2-F3: BASKI KUVVETİ ( EXERTING FORCE ), F4-F5-F6: TUTMA KAPASİTESİ ( HOLDING CAPACITY ), Fi: UYGULAMA KUVVETİ ( APPLIED FORCE )

\*911-951  
Bkz. Aksesuar Sayfası  
\*911-951  
Please See Accessories Page



**Ayak Tipi: Yatay Tabanlı (Açıkken Kilitli)**  
Body Mounting Base: Horizontal (Locked when open)



MODEL NO	A	B	B2	C1	C2	C3	E~	F~	G	H	J	L	L2	N
241-4-D-L	54	63	10	68	118	168	30	43 - 46	52,5	238	22	131	172	8,5 x 10
241-6-D-L	70	74	12	86	130	180	45	51 - 53	71,5	280	27	166	198	10,5 x 11,5