

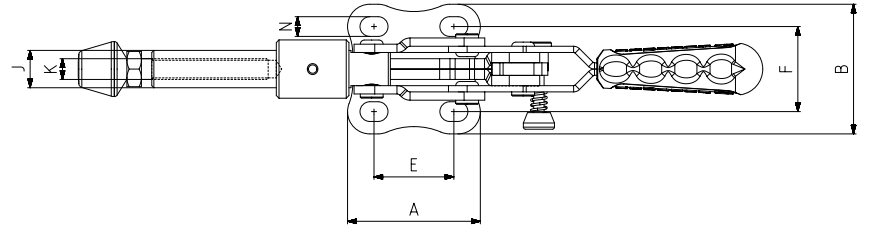
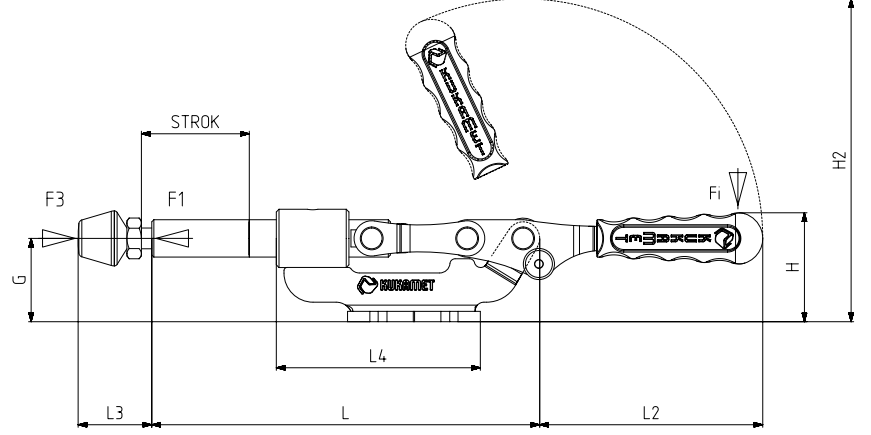
541-L



MODEL NO	F1 (N)	F3 (N)	Fi	BASKI VİDASI (SQUEEZE SCREW)	STROK	AĞIRLIK (WEIGHT) (gr ±%)
			VERİM (YIELD) (F1:Fi)			
541-4-L-Ø18	4500	7200	23:1	M10 x 70	47	915

F1 : BASKI KUVVETİ (EXERTING FORCE) , F3 : TUTMA KAPASİTESİ (HOLDING CAPACITY)
Fi : UYGULAMA KUVVETİ (APPLIED FORCE)

Ayak Tipi: Yatay Tabanlı - Ters Çalışan Kilitli
Body Mounting Base: Horizontal - Reverse
Operating - Locked



- 
511
Sayfa/Page: 54
- 
111
Sayfa/Page: 6
- 
521
Sayfa/Page: 57



MODEL NO	A	B	E	F	G	H	H2	J	K	L	L2	L3 min.	L3 max.	L4	N
541-4-L-Ø18	64	62	38,5	41	40	52,5	156	18	M10	186	107,5	32	81	98	9,5 x 13,5