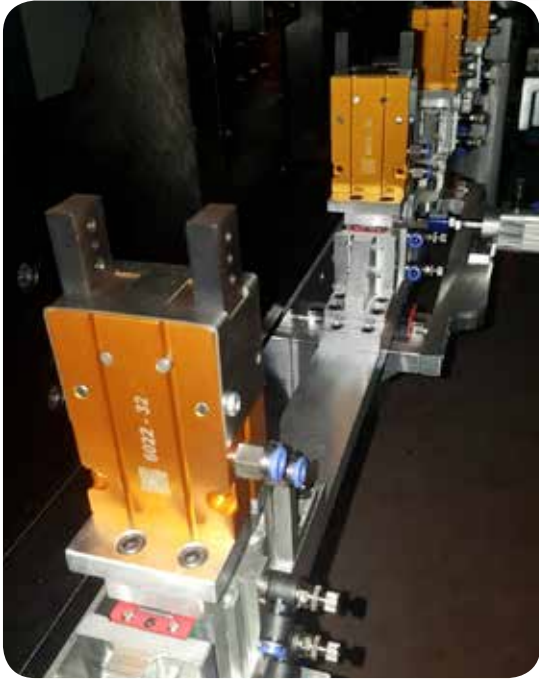
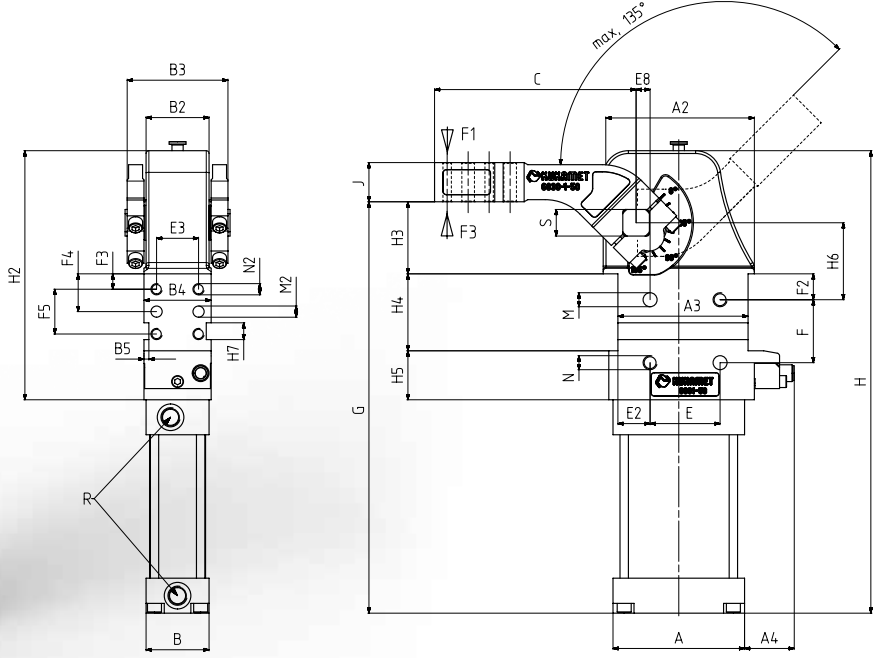


6031



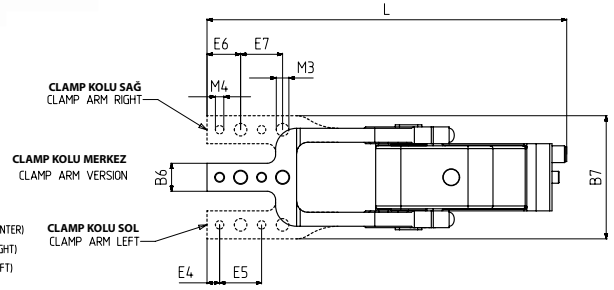
new

MODEL NO	SIKMA KUVVETİ (CLAMPING MOMENT) (at 5 bar) (Nm) F1	TUTMA KUVVETİ (HOLDING MOMENT) (Nm) F3	AĞIRLIK (WEIGHT) (gr)
6031 -50	160	800	3500



SİPARİŞ ÖRNEĞİ
ORDERING EXAMPLE :

- 6030-1-50 CLAMP KOLU MERKEZ (CLAMP ARM CENTER)
- 6030-1-50-R CLAMP KOLU SAĞ (CLAMP ARM RIGHT)
- 6030-1-50-L CLAMP KOLU SOL (CLAMP ARM LEFT)



MODEL NO	A	A2	A3	A4	B	B2	B3	B4	B5	B6	B7	C	E	E2	E3	E4	E5	E6	E7	E8
6031 -50	94	108	93	35,5	45	45	72	48	3,5	20	88	144	50	23	30	9	30	24	30	10

MODEL NO	F	F2	F3	F4	F5	G	H	H2	H3	H4	H5	H6	H7	J	L	M (H7)	N	M2 (H7)	N2	M3	M4 (H7)	R	S
6031 -50	45	18,5	11	27	32	294	330,5	178	51,5	55	35	55	12	28	257	Ø10	M10	Ø8	M8	9	6	G1/4	19