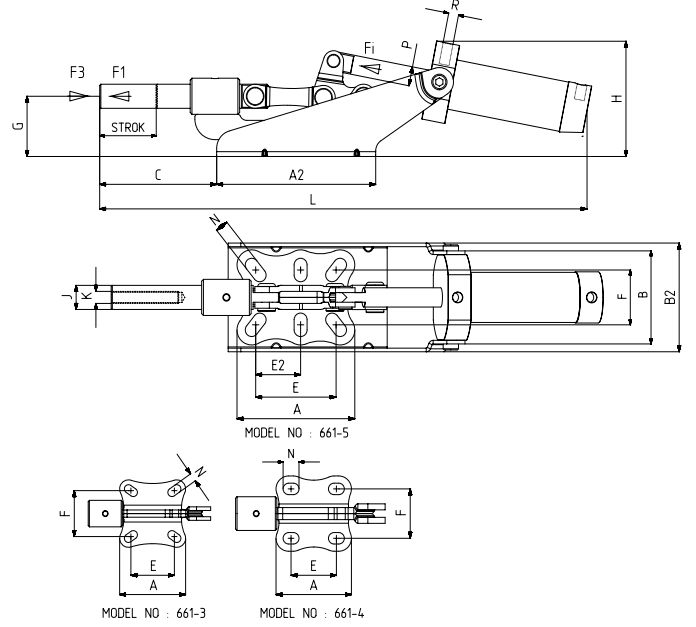


**661**


MODEL NO	F1 (N)	F3 (N)	Fi (N)	Vn (dm <sup>3</sup> )	STROK	AĞIRLIK (WEIGHT) (gr)	BAR
661 - 3 (Ø 12)	1500	2960	300	0.25	23	860	6
661 - 3 (Ø 14)	2500	3200	500	0.51	23	1010	6
661 - 4 (Ø 16)	4500	6650	750	1.04	33	1800	6
661 - 4 (Ø 18)	4500	7200	750	1.04	33	1830	6
661 - 5 (Ø 20)	7500	15000	1100	2	42	3220	6

F1 : BASKI KUVVETİ (EXERTING FORCE) , F3 : TUTMA KAPASİTESİ (HOLDING CAPACITY) , Fi : UYGULAMA KUVVETİ (APPLIED FORCE)

Vn , 6 BAR BASINÇTA ÇİFT HAREKET İÇİN HAVA TÜKETİM MİKTARIDIR ( Vn ,AIR CONSUMPTION PER DOUBLE STROKE IN dm<sup>3</sup> AT 6 BAR )



**Ayak Tipi: Yatay Tabanlı, Kaynaklı, Ön Bağlantılı**  
 Body Mounting Base: Horizontal With Welding, Tied Front



621

Sayfa/Page: 68

531

Sayfa/Page: 55

**Pistonlar çift etkili, manyetik ve yastıklıdır.**

Pneumatic cylinders are double acting, magnetic and cushioning

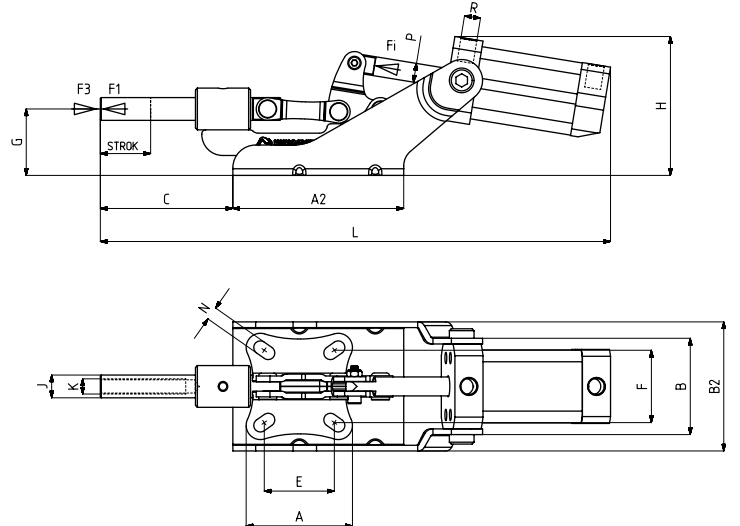
MODEL NO	A	A2	B	B2	C	E ~	E2 ~	F ~	G	H	J	K	L	N	P	R	PİSTON Ø
661 - 3 (Ø 12)	56	90	51	68	70	32,5 - 41		35 - 41	35	72	12	M8	292	7 x 12	Ø 10	G1/8	25
661 - 3 (Ø 14)	56	100	58	68	70	32,5 - 41		35 - 41	35	79	14	M8	312	7 x 12	Ø 12	G1/8	32
661 - 4 (Ø 16)	64	115	77	78	84	34,5 - 42,5		41	43	100	16	M10	372	9,5 x 13,5	Ø 16	G1/8	40
661 - 4 (Ø 18)	64	115	77	78	84	34,5 - 42,5		41	43	100	18	M10	372	9,5 x 13,5	Ø 16	G1/8	40
661 - 5 (Ø 20)	100	170	79	92	101	61,5 - 75	34,5 - 41,5	37 - 54	51	110	20	M12	456	11 x 22	Ø 20	G1/8	50

**662**


MODEL NO	F1 (N)	F3 (N)	Fi (N)	Vn (dm <sup>3</sup> )	STROK	AĞIRLIK (WEIGHT) (gr)	BAR
662 - 3 (Ø 12)	1500	2960	300	0.25	23	860	6
662 - 3 (Ø 14)	2500	3200	500	0.51	23	1010	6

F1 : BASKI KUVVETİ (EXERTING FORCE) , F3 : TUTMA KAPASİTESİ (HOLDING CAPACITY) , Fi : UYGULAMA KUVVETİ (APPLIED FORCE)

Vn , 6 BAR BASINÇTA ÇİFT HAREKET İÇİN HAVA TÜKETİM MİKTARIDIR ( Vn ,AIR CONSUMPTION PER DOUBLE STROKE IN dm<sup>3</sup> AT 6 BAR )



**Ayak Tipi: Yatay Tabanlı, Kaynaklı, Ön Bağlantılı**  
 Body Mounting Base: Horizontal With Welding, Tied Front

**Sensör Kanallı - Kare Pistonlu**  
 With Square Piston and Sensor Slot



661

Sayfa/Page: 74

533

Sayfa/Page: 57

534

Sayfa/Page: 58

**Pistonlar çift etkili, manyetik ve yastıklıdır.**

Pneumatic cylinders are double acting, magnetic and cushioning

MODEL NO	A	A2	B	B2	C	E ~	F ~	G	H	J	K	L	N	P	R	PİSTON Ø
662 - 3 (Ø 12)	56	90	51	68	70	32,5 - 41	35 - 41	35	73	12	M8	268	7 x 12	Ø 10	G1/8	25
662 - 3 (Ø 14)	56	100	58	68	70	32,5 - 41	35 - 41	35	80	14	M8	288	7 x 12	Ø 12	G1/8	32